

Click to rotate

Unicable II™

Programmable 32UB LNB

Model: IDLU-32UL40-UNBOO-OPP

Item: 5278



This Unicable II™ LNB enables installations with up to 32 satellite receivers connected over a single coax cable and using the EN50494/EN50607 protocols providing access to unlimited number of transponders (also known as 'Dynamic' mode). Alternatively, it can be configured to deliver a fixed mapping of transponder frequencies to IF frequencies (also known as 'Static' mode), allowing an unlimited number of receivers to be connected and providing them access to up to 32 transponders based on digital channel stacking technology.

Digital channel stacking technology uses fast wideband analog to digital converters and applies digital signal processing to select desired transponder channels, up convert them and stack them as IF signals over the Unicable output port. The Unicable II™ LNB offers a full flexibility of channel selection, supports many more set-top-boxes over existing cabling thus significantly reducing cost and simplifying installations at subscribers' homes. The Static mode, allowing an unlimited number of receivers to be connected to the LNB, makes multi-room distribution and MDU installations substantially cheaper and simpler than ever before. The operating mode - dynamic or static - output power level, channel bandwidth, UB numbers, center frequencies and dish alignment mode are all programmable and can be configured and updated in the field using a dedicated programmer device - the SatPal™ Controller*.

The LNB can be powered over a connected STB or by an AC/DC adapter over a power inserter in case the STB is unable to provide the necessary power. The Unicable II™ is backward compatible, fully compliant with both EN50494 and EN50607 standards and integrates seamlessly into EN50494-only or mixed EN50494/EN50607 installations of compatible STBs, Next Generation PVRs and HGWs.

For more information on the Unicable II™ technology and its advantages please refer to: www.inverto.tv/what-is-unicable-2

For more information on the SatPal™ technology and its advantages please refer to: www.inverto.tv/satpal

Main Features:

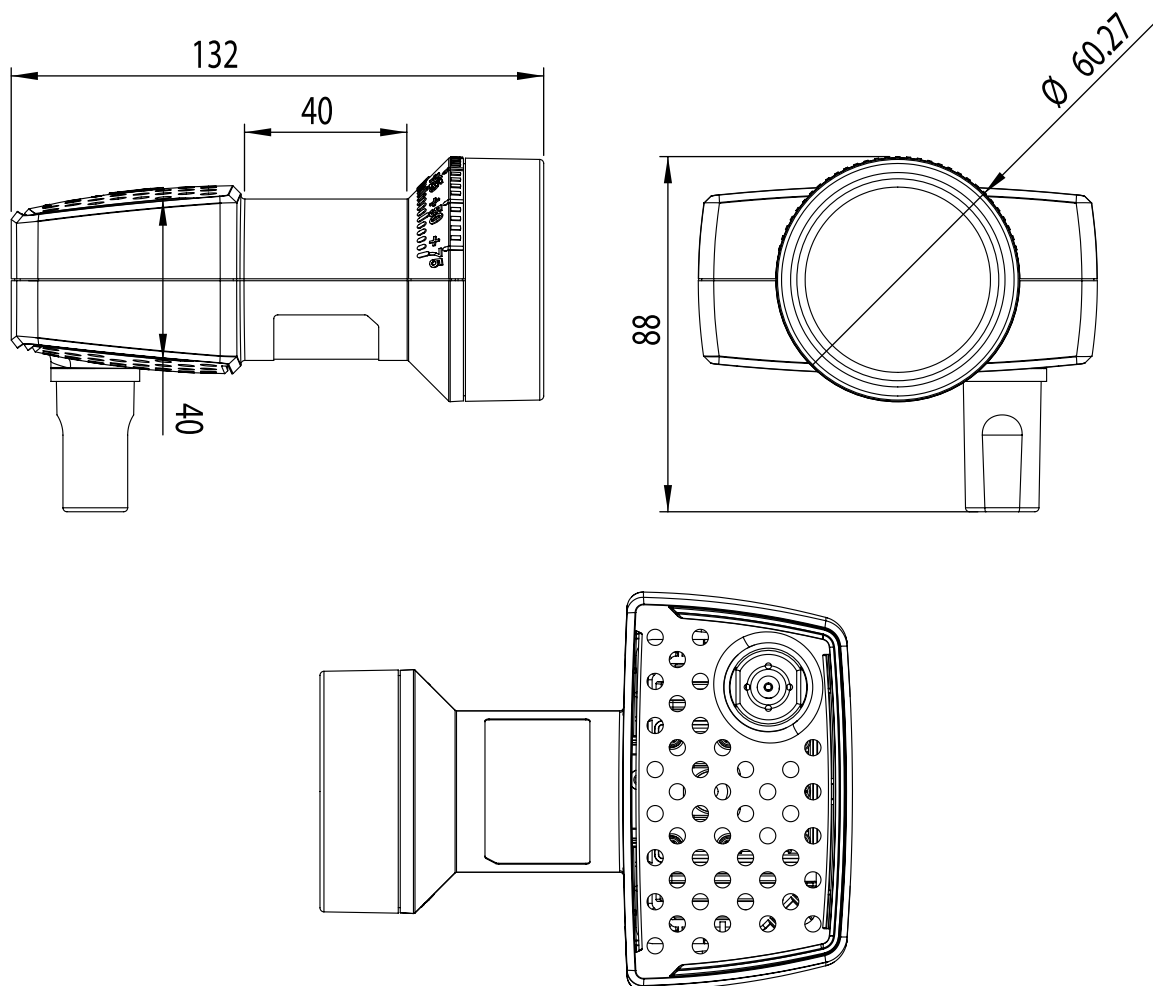
- Low phase Noise HDTV-DVBS2 compliant
- Low Noise Figure
- Very high cross-pol isolation
- Programmable Static frequency mapping mode
- Dish alignment mode

Technical Specifications:

Input frequency range	10.7 GHz ~ 12.75 GHz
LO frequency	10.4 GHz
Noise figure	1 dB max.
LO temperature drift @ 25 °C	±2.5 MHz max.
LO Initial accuracy	±1.0 MHz max.
LO phase noise @ 10 kHz	-80 dBc/Hz max.
Conversion gain	55 dB min.
Gain variation (over full band)	±0.75 dB/UB max.
Image rejection	40 dB min.
1 dB compression point (@ output)	0 dBm min.
Cross polarization isolation	22 dB min.
Output VSWR	2.5 : 1
Current consumption	400 mA max. @ 13.5 V
Operating temperature	-30 °C ~ +60 °C
Output impedance	75 Ω
Output connector type	F-Type (female)
Weight	220 g
Bandwidth User Band	Configurable, 10 MHz ~ 64 MHz (default 30 MHz)
Number of User Bands	Up to 32 User Bands
Standard configuration	32 UBs in dynamic mode:
	UB1 1210 MHz (EN50494+EN50607)
	UB2 1420 MHz (EN50494+EN50607)
	UB3 1680 MHz (EN50494+EN50607)
	UB4 2040 MHz (EN50494+EN50607)
	UB5 984 MHz (EN50494+EN50607)
	UB6 1020 MHz (EN50494+EN50607)
	UB7 1056 MHz (EN50494+EN50607)
	UB8 1092 MHz (EN50494+EN50607)
	UB9 1128 MHz (EN50607)
	UB10 1164 MHz (EN50607)
	UB11 1256 MHz (EN50607)
	UB12 1292 MHz (EN50607)
	UB13 1328 MHz (EN50607)
	UB14 1364 MHz (EN50607)
	UB15 1458 MHz (EN50607)
	UB16 1494 MHz (EN50607)
	UB17 1530 MHz (EN50607)
	UB18 1566 MHz (EN50607)
	UB19 1602 MHz (EN50607)
	UB20 1638 MHz (EN50607)
	UB21 1716 MHz (EN50607)
	UB22 1752 MHz (EN50607)
	UB23 1788 MHz (EN50607)
	UB24 1824 MHz (EN50607)
	UB25 1860 MHz (EN50607)
	UB26 1896 MHz (EN50607)
	UB27 1932 MHz (EN50607)
	UB28 1968 MHz (EN50607)
	UB29 2004 MHz (EN50607)
	UB30 2076 MHz (EN50607)
	UB31 2112 MHz (EN50607)
	UB32 2148 MHz (EN50607)
Channel isolation	25 dB min.
Control protocols	DiSEqC 1.x/DiSEqC 2.x, EN50494/EN50607

Logistical info:

Packaging dimensions (h x w x d)	10.5 cm x 6.85 cm x 13.9 cm
Packaging weight	0.26 kg
Quantity per carton	50 pcs
Carton dimensions (h x w x d)	54.5 cm x 38.8 cm x 29.8 cm
Carton weight	13.78 kg
Quantity per pallet	600 pcs



For purpose of brevity, some product descriptions in this sheet remain at platform level and may not be referred to as detailed datasheets of the products. Inverto Digital Labs reserves the right to amend, omit or add products, product-lines, and / or features without notice. As product specifications may change without notice, always contact Inverto to obtain the latest product specification sheets.

For further details contact: sales@inverto.tv

FTA Communication Technologies S.à r.l. Tel. +352 264 367 1 Fax. +352 264 313 68



www.inverto.tv